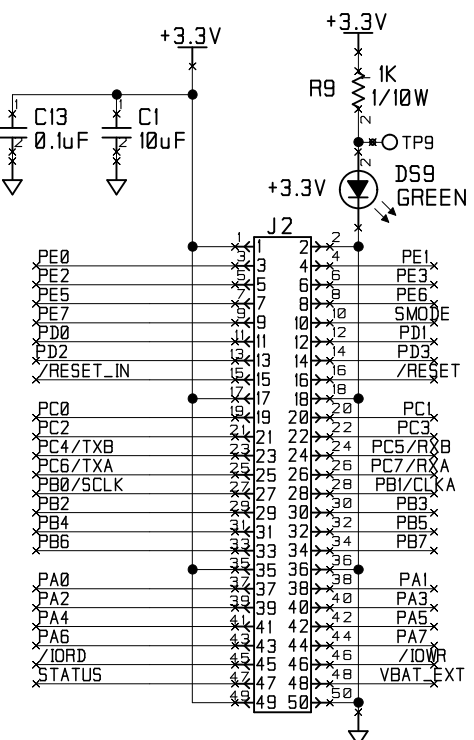
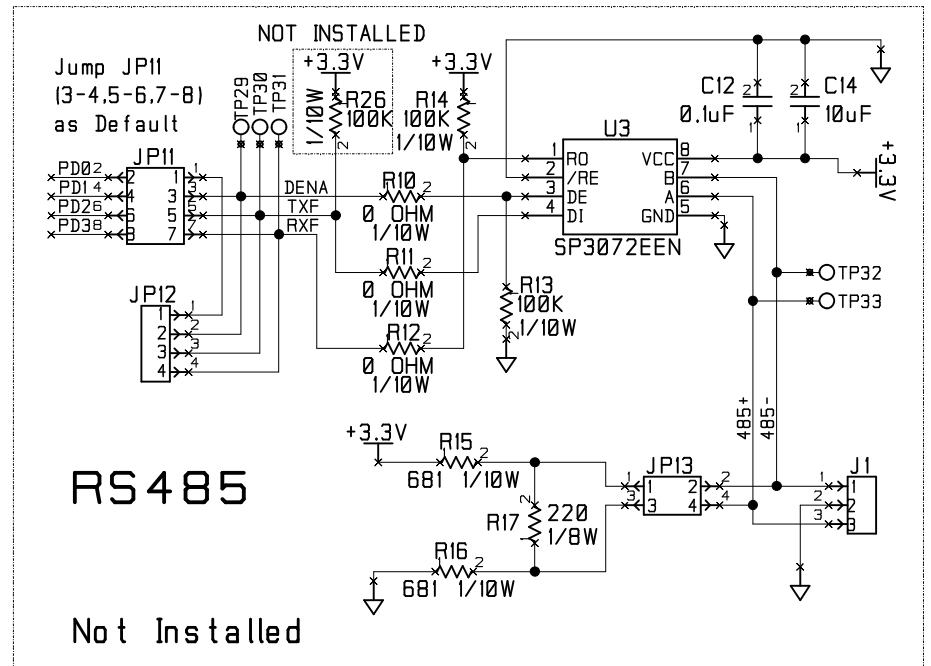


REVISION HISTORY			REVISION APPROVAL			
REV	ECO	DESCRIPTION	PROJECT ENGINEER	APPROVAL DATE	DOCUMENT CONTROL	APPROVAL DATE
A	374	Initial	L.Y.			

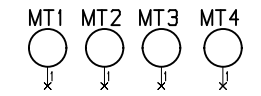


On TOP side of the board

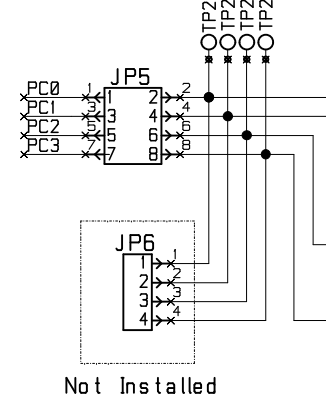


RS485

Not Installed

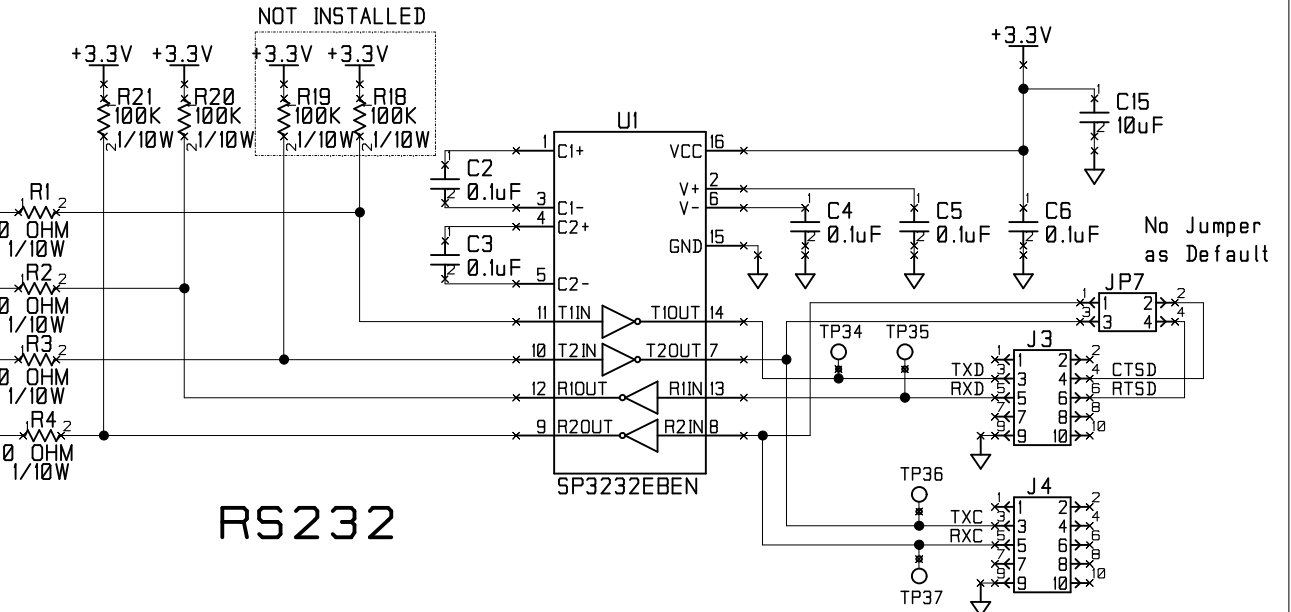


Jump JP5 (1-2,3-4,5-6,7-8) as Default

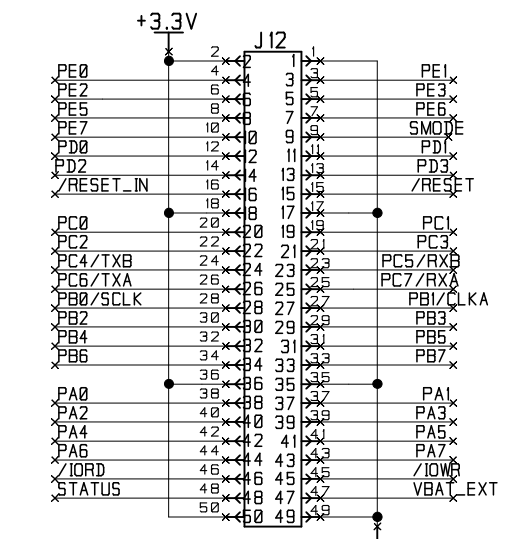


Not Installed

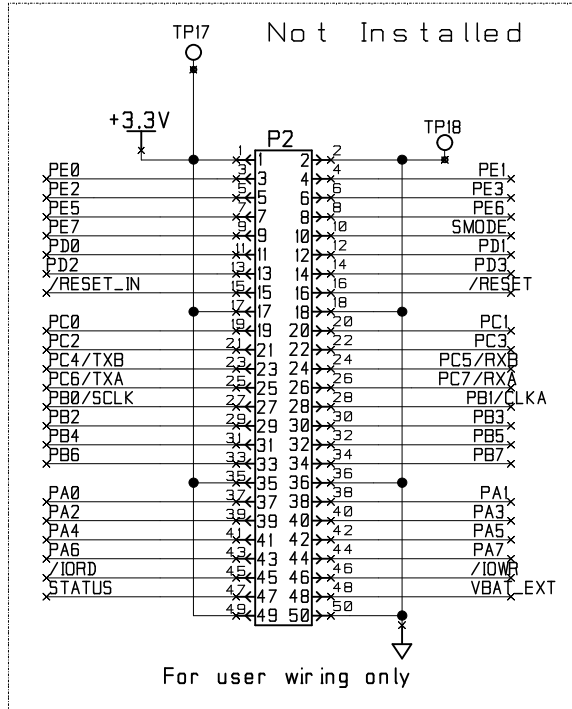
RS232



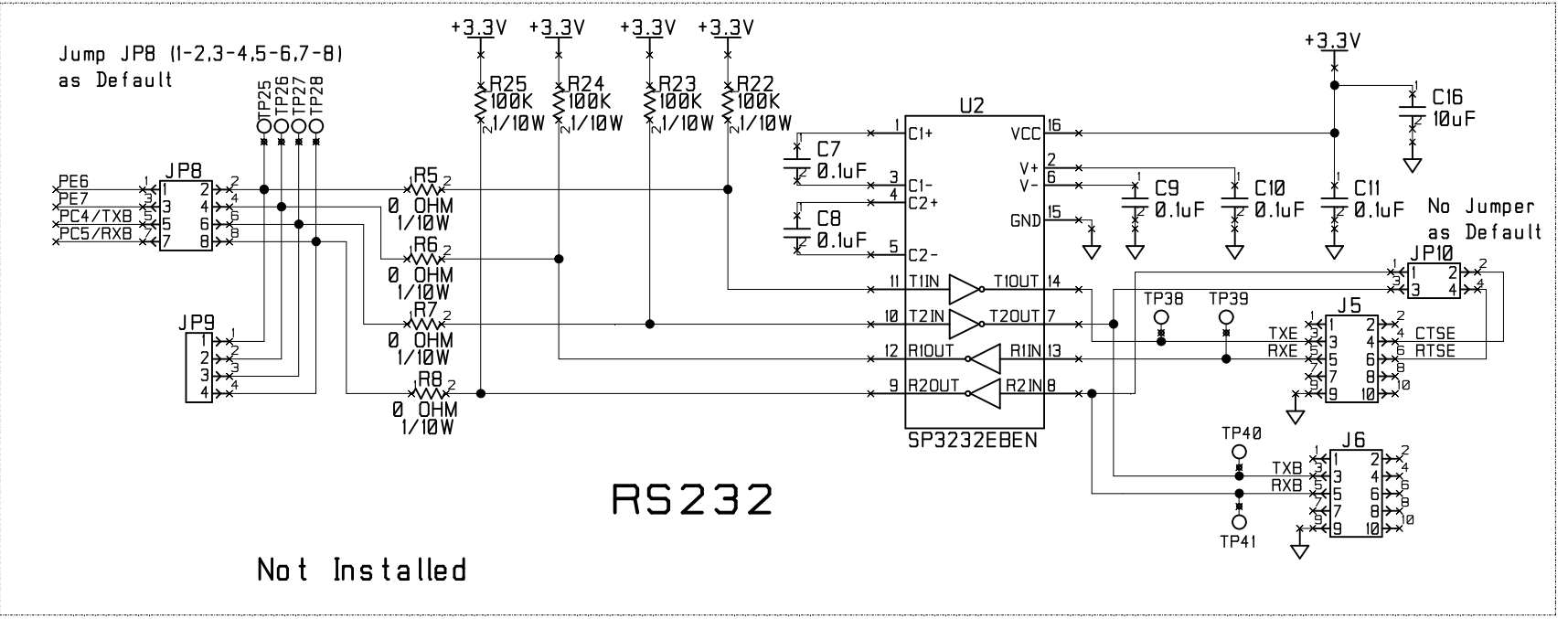
RS232



On the BOT side of the board



For user wiring only



Not Installed

RS232

07-09-08 11:09 AM

- NOTES: UNLESS OTHERWISE SPECIFIED;
- ALL RESISTOR VALUES ARE IN OHMS, 1/16W, 1% UNLESS LABELED
 - THE ORIGINATION SOURCE OF A VOLTAGE IS REPRESENTED BY (VCC), AND ALL REFERENCES TO THAT VOLTAGE ARE REPRESENTED BY (VCC).
 - COMPONENT VALUES SHOWN WITH AN ASTERISK (*) FOLLOWING THE VALUE OR DASHED BOX, MAY HAVE DIFFERENT VALUES, OR MAY NOT BE STUFFED.

APPEND THE FOLLOWING DOCUMENTS WHEN CHANGING THIS DOCUMENT:		DRAWING CONTENT:		TITLE	
		DRAWN BY: (INITIAL RELEASE)		SERIAL COMM - RCM56/57XX	
		L.Y.	07-09-08		
		REVISED BY:		RABBIT www.rabbit.com	
		APPROVALS: INITIAL RELEASE			
		PROJECT ENGINEER:			
		L.Y.	07-09-08	SIZE	DWG NO.
		ENGINEERING MANAGER:		B	090-0271
		X.T.	07-09-08	SCALE	NONE
		SIGNATURES	DATE	RELEASE DATE	SHEET 1 OF 1