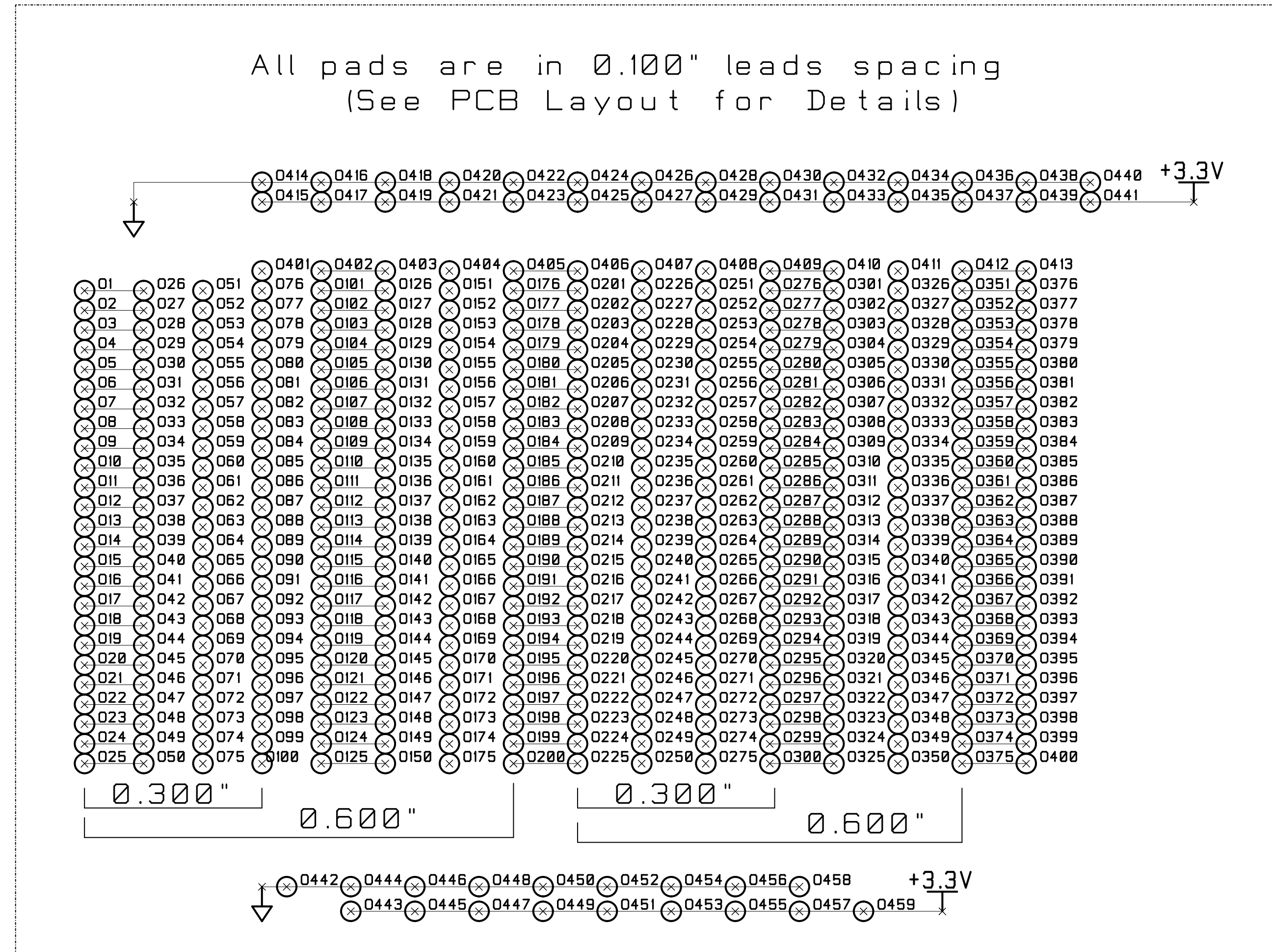
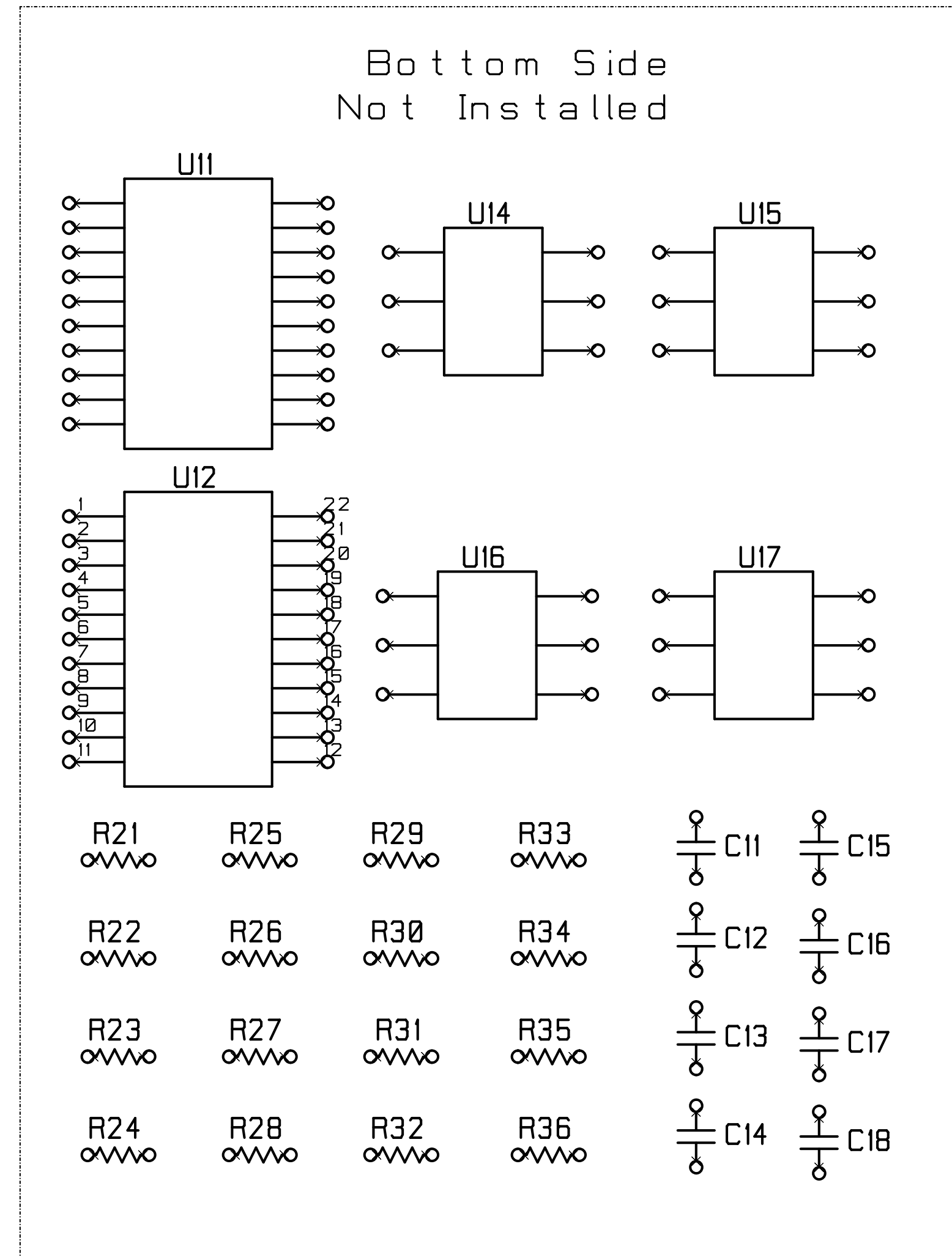
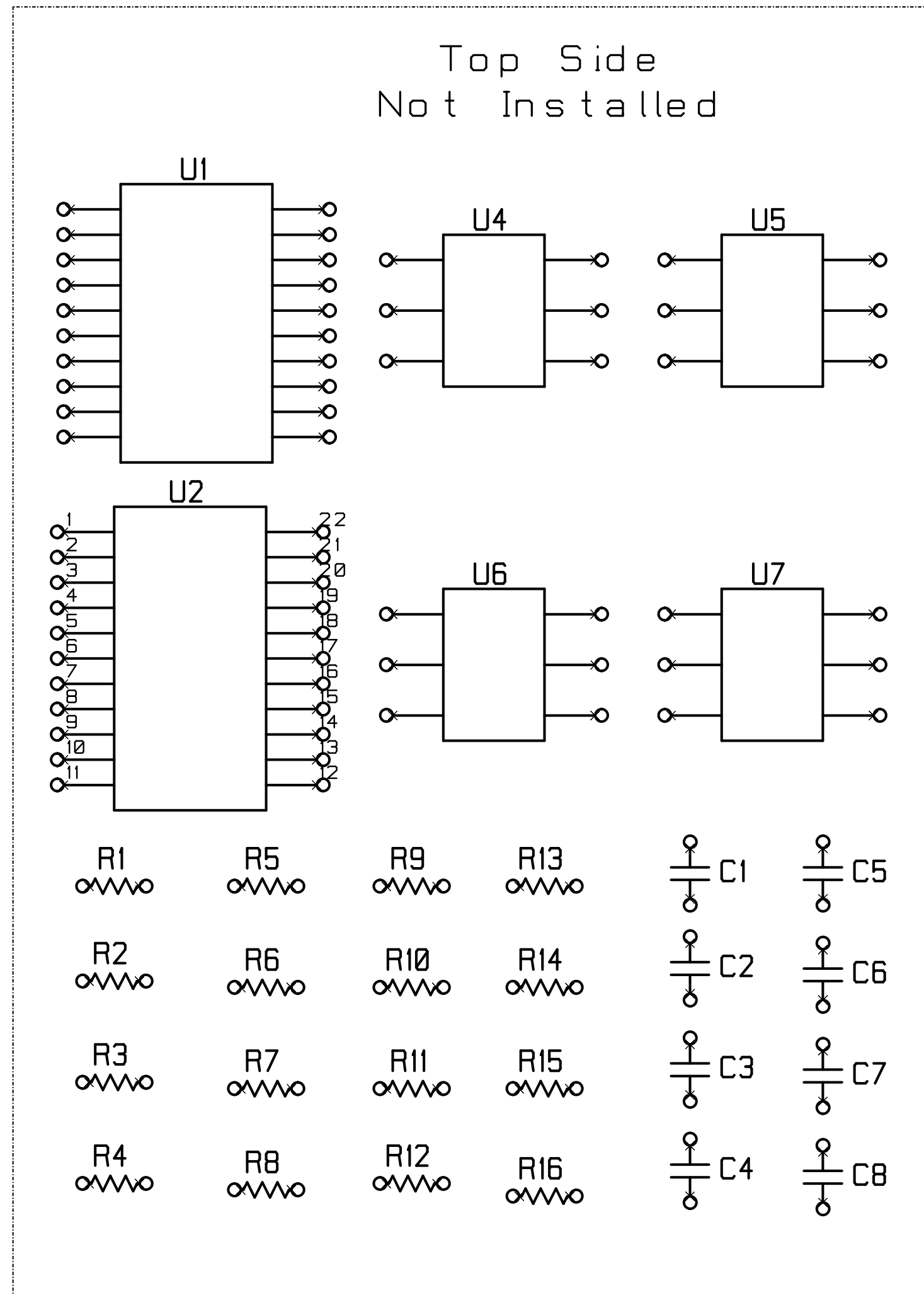


REVISION HISTORY			REVISION APPROVAL			
REV	ECO	DESCRIPTION	PROJECT ENGINEER	APPROVAL DATE	DOCUMENT CONTROL	APPROVAL DATE
A		Pilot run	LY			
B	000504	Change description to "Prototyping Board".	LY			

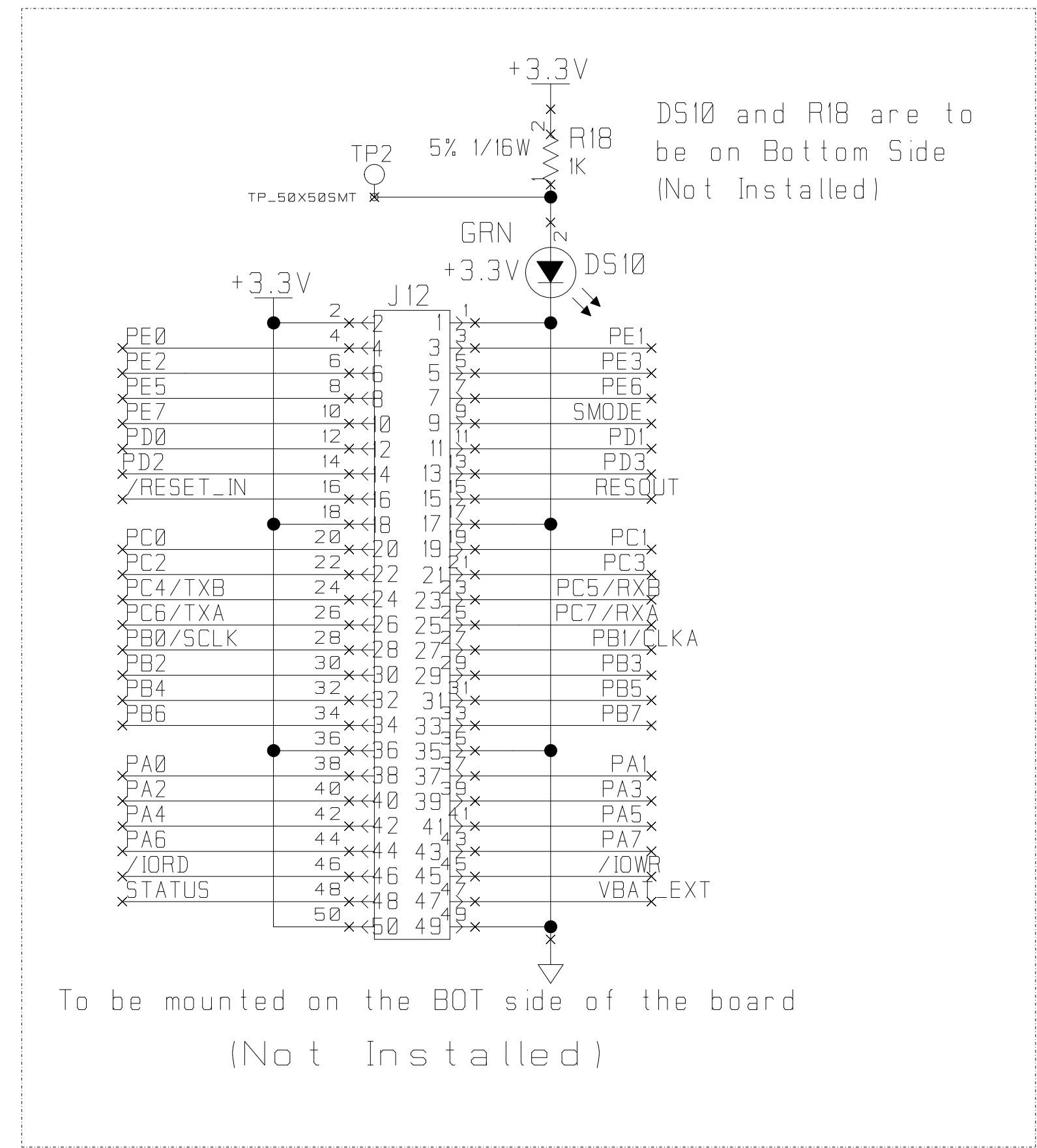
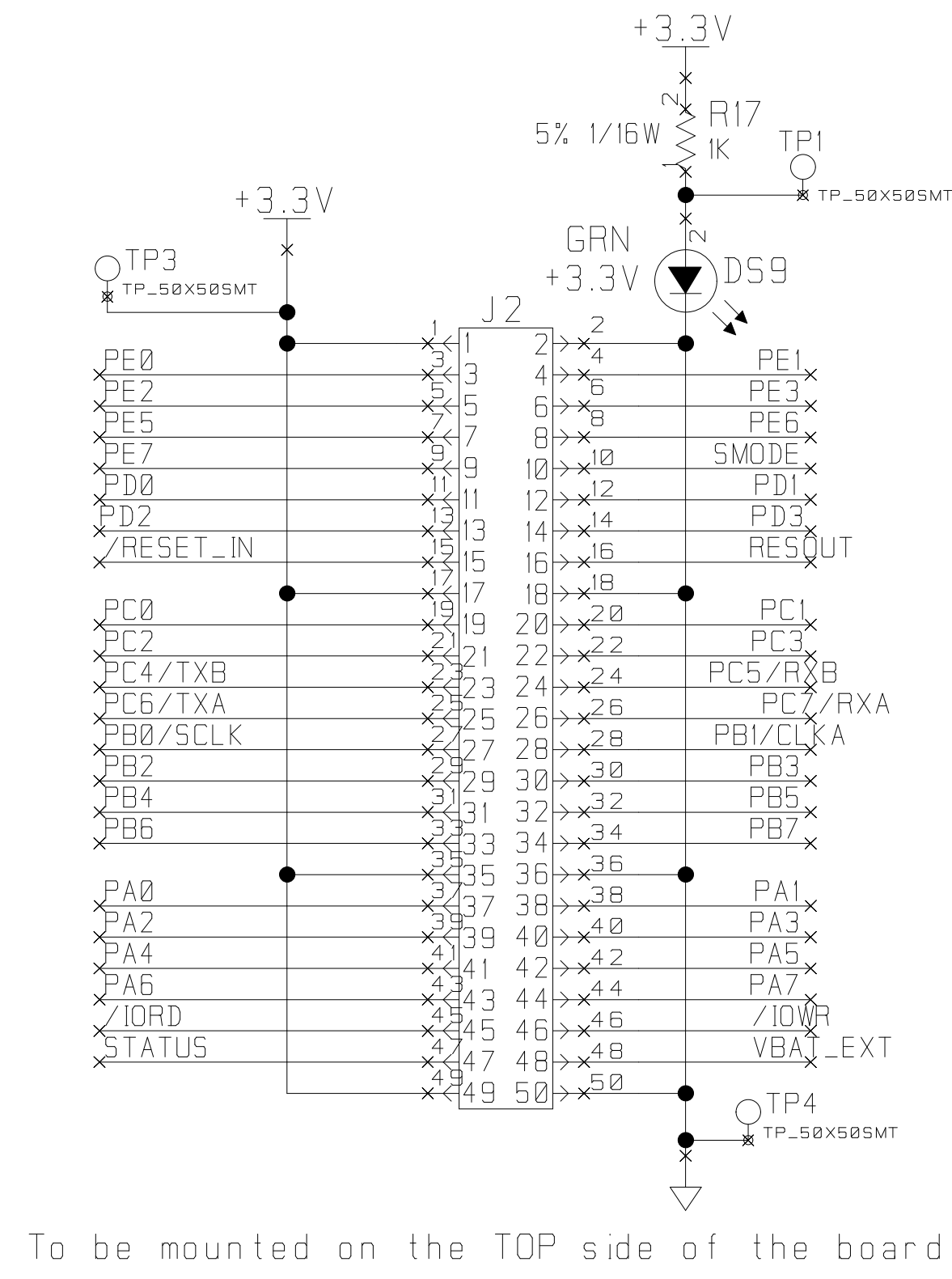
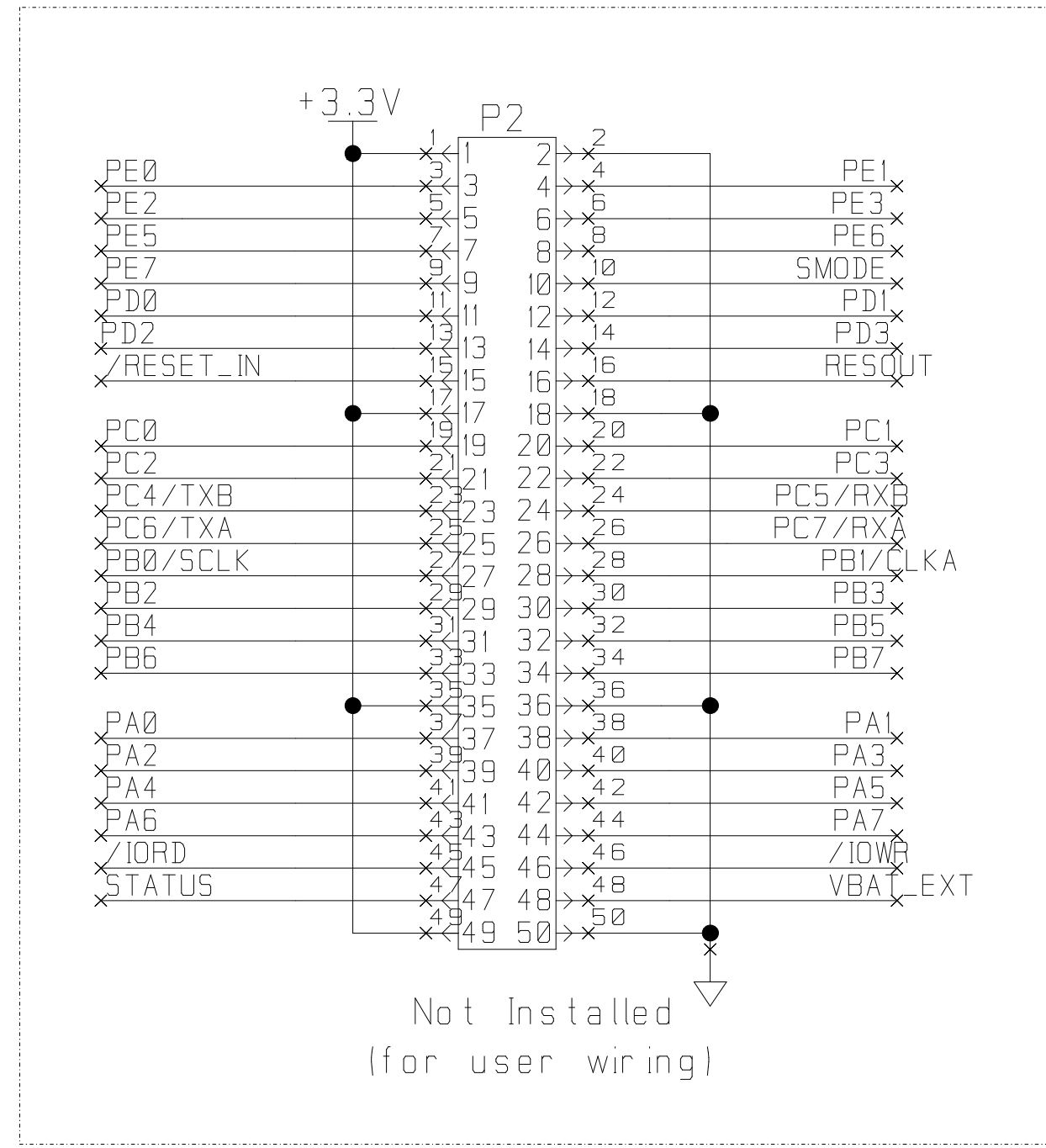


NOTES: UNLESS OTHERWISE SPECIFIED;

- ALL RESISTOR VALUES ARE IN OHMS, 1/16W, 1% UNLESS LABELED
- THE ORIGINATION SOURCE OF A VOLTAGE IS REPRESENTED BY (  $V_{CC}$  ), AND ALL REFERENCES TO THAT VOLTAGE ARE REPRESENTED BY (  $V_{CC}$  ).
- COMPONENT VALUES SHOWN WITH AN ASTERISK (\*) FOLLOWING THE VALUE OR DASHED BOX, MAY HAVE DIFFERENT VALUES, OR MAY NOT BE STUFFED.

09-02-08 1:00 PM

APPEND THE FOLLOWING DOCUMENTS WHEN CHANGING THIS DOCUMENT:		DRAWING CONTENT:		TITLE	
		DRAWN BY: (INITIAL RELEASE)		PROTOTYPING BOARD - RCM56/57XX	
		L.Y.	06-02-08		
		REVISED BY:		RABBIT	
		L.Y.	09-02-08		
		APPROVALS: INITIAL RELEASE		www.rabbit.com	
		PROJECT ENGINEER:			
		L.Y.	06-02-08	SIZE	DWG NO.
		ENGINEERING MANAGER:		B	090-0270
		X.T.	06-02-08	SCALE	NONE
		SIGNATURES	DATE	RELEASE DATE	SHEET 1 OF 2



09-02-08 1:00 PM

SIZE B	DWG NO. 090-0270
SCALE NONE	REV LTR B
SHEET 2 OF 2	